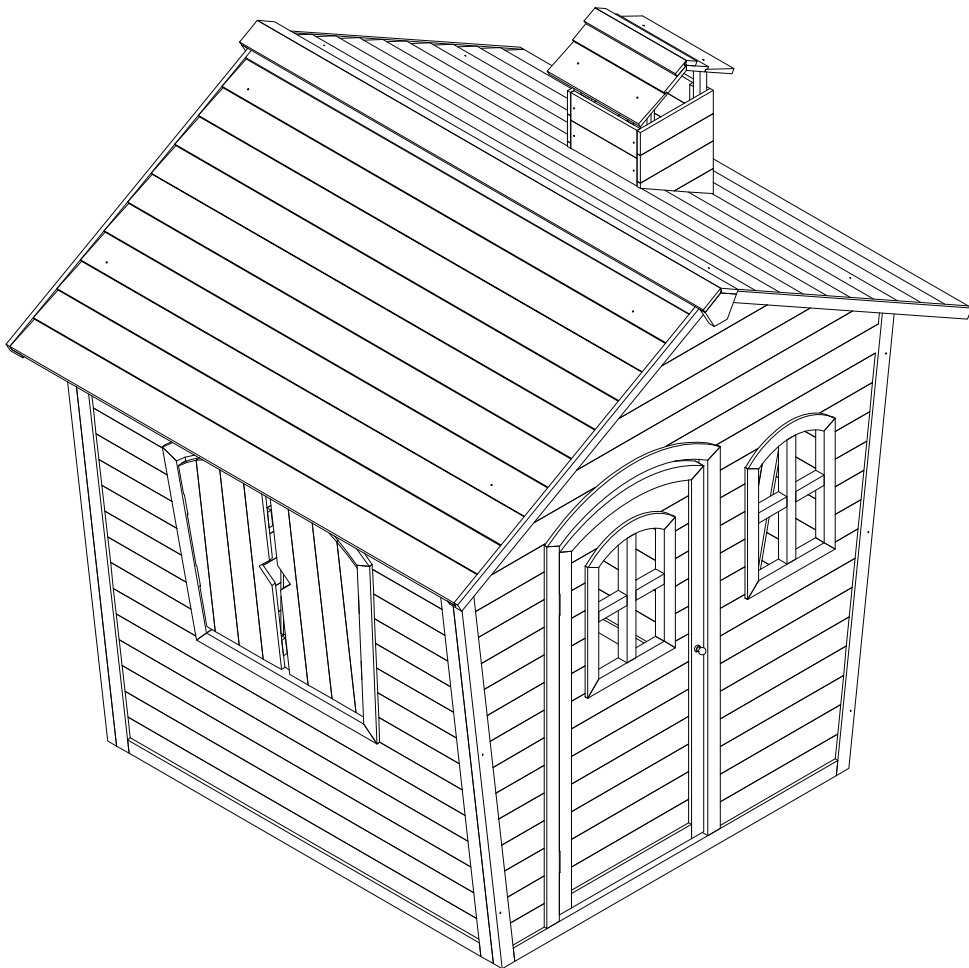


JLY

Wooden Playhouse-10149811



Important Instructions

This product is for outdoor use.

This product should be assembled by adults.

Plastic bags and other plastic elements should be removed immediately and kept out of the reach of children.

Please take into consideration that the product should be assembled on an even, flat surface.

Do not over-tighten. This will cause crack.

Wood is a natural species and every tree is unique, every piece of timber varies from the next and has its own specific characters. Over time, timber used for outdoor will experience faded colouring, mould, cracks, and other deformations. These features give the wood its character and natural beauty and do not affect the structural integrity of the product itself.

These are not quality issues.

In different regions, the product might have different performances in different weather and humidity conditions.

Wood is durable, renewable, and recyclable. It also ages naturally, giving each piece of furniture its distinct features and markings.

Maintenance

Wipe with a soft cotton or cloth for cleaning.

This product needs to be screwed again after two weeks' use or in necessary circumstances(regularly) to get a better stability.

The regular maintenance period is 6 - 8 months, depends on different regions and weather conditions.

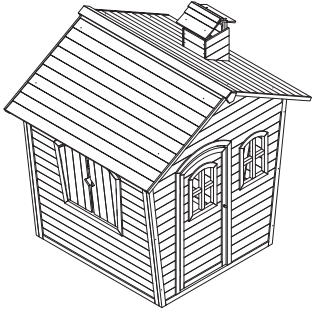
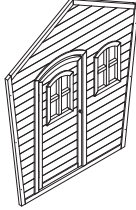
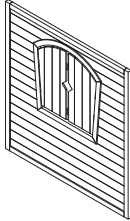
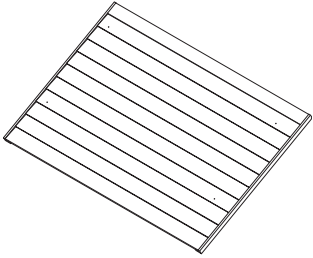


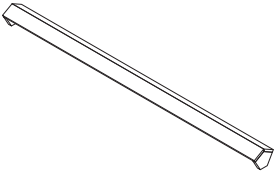





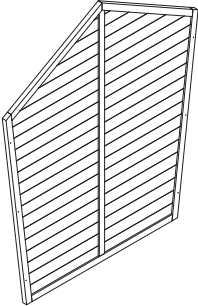
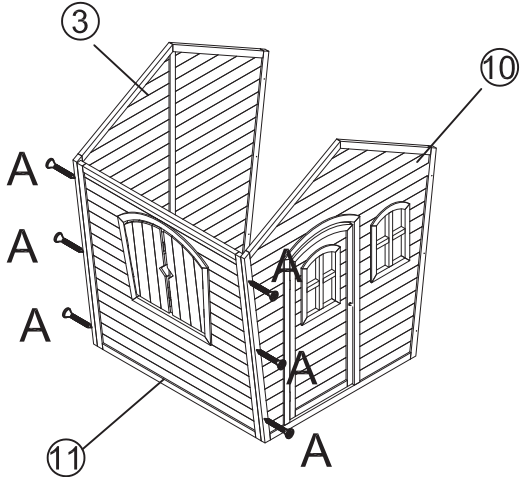
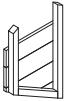
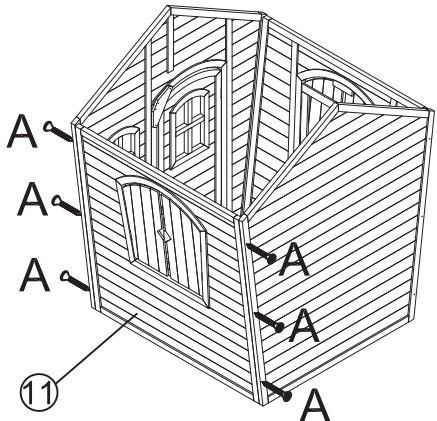
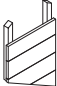
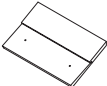
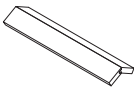
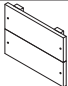
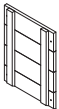
The stain does provide some protection, but like all water-based stains they have a life, depending on the surrounding environment.

For total protection we still recommend painting this product.

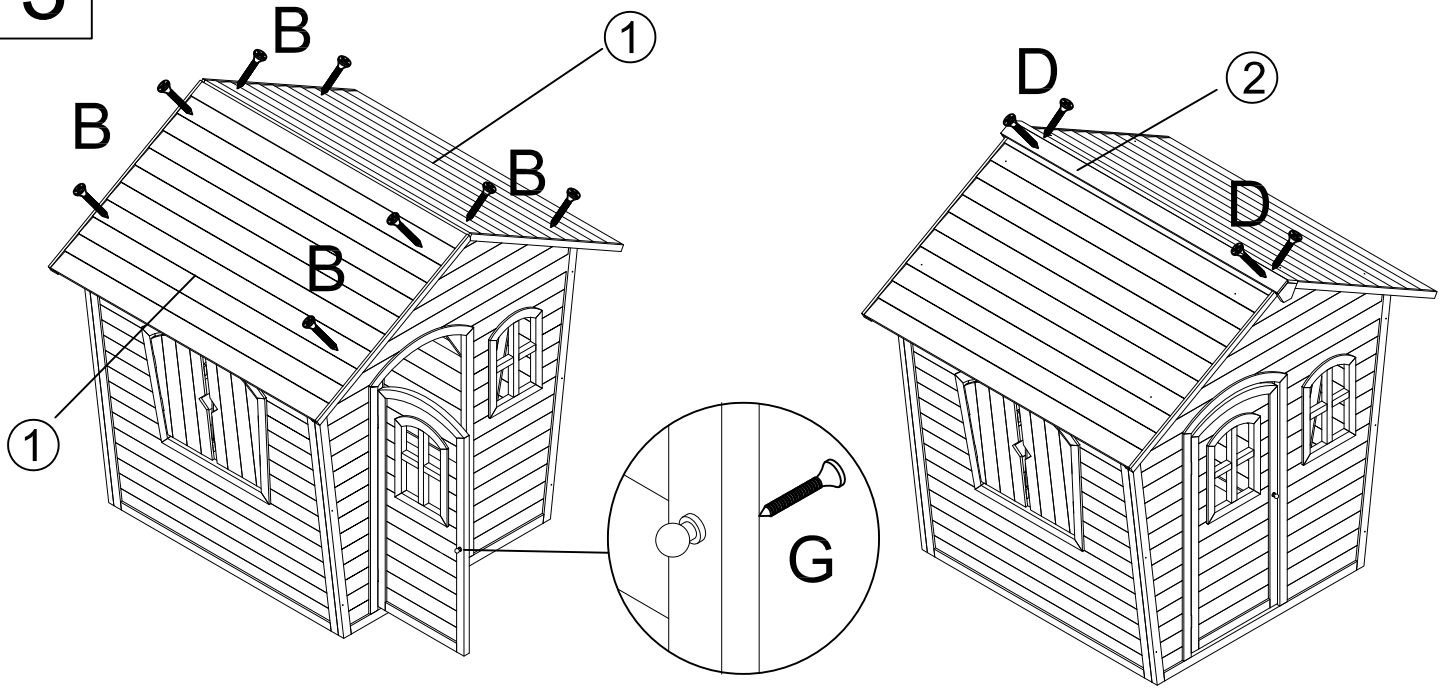
Ensure the product is placed in an area that receives plenty of sunlight. Sunlight and air flow will decrease the chances of mold growth. Mold can cause moisture retention and will ultimately result in the timber to become water logged, causing rot.

The lifespan for this product will be extended after regular maintenance.

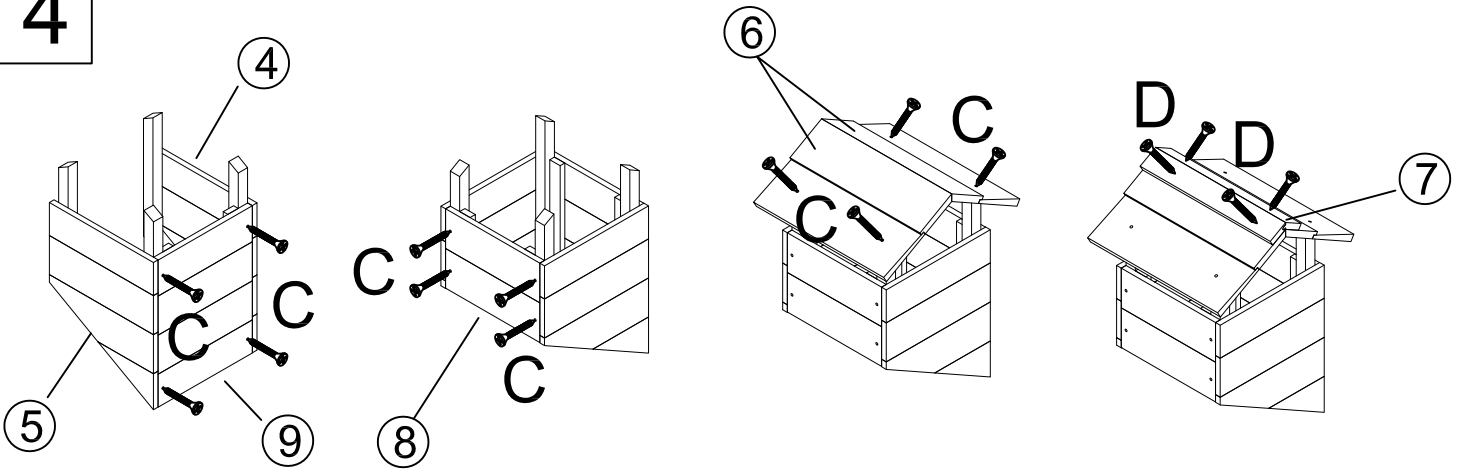
JLY

			10		1styck
			11		2styck
1		2styck	A	 3.5*45	12styck
			B	 3.5*30	8styck
2		1styck	C	 3*23	12styck
			D	 3*20	8styck
			E	 3*12	6styck
			F		2styck
			G		1styck
3		1styck	<div style="border: 1px solid black; padding: 5px; display: inline-block;">1</div> 		
4		1styck	<div style="border: 1px solid black; padding: 5px; display: inline-block;">2</div> 		
5		1styck			
6		2styck			
7		1styck			
8		1styck			
9		1styck			

3



4



5

